



Ceramic waveguide duplexer, F0 6675MHz / 7015MHz, bandwidth 170MHz, 65dB rejection.

Electrical Specifications

Frequency F0	6675MHz / 7015MHz	
Band Width	F0±85	
Pass Band	6590-6760 MHz	6930-7100 MHz
Return Loss	≤-18.0 dB	≤-18.0 dB
VSWR	≤1.29	≤1.29
Insertion Loss	≤2.3 dB	≤2.3 dB
Ripple	≤1.3 dB	≤1.3 dB
Rejection	≥65 dB @6930-7100MHz	≥65 dB @6590-6760MHz
Isolation	≥65 dB @6930-7100MHz	≥65 dB @6590-6760MHz
Power Handling	5 watts average	
Impedance	50 ohms	

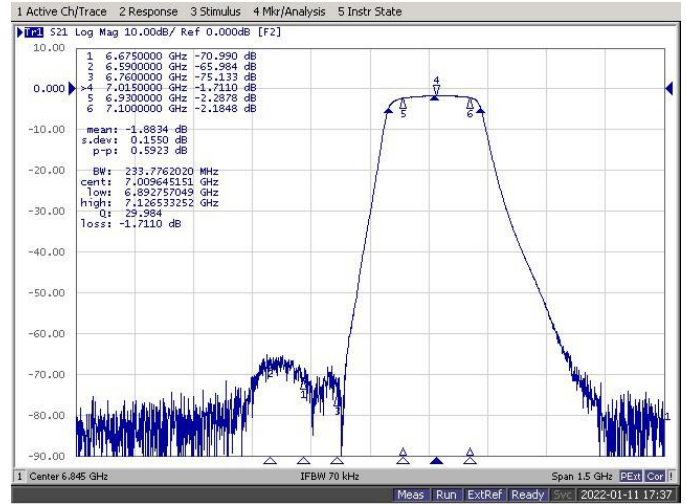
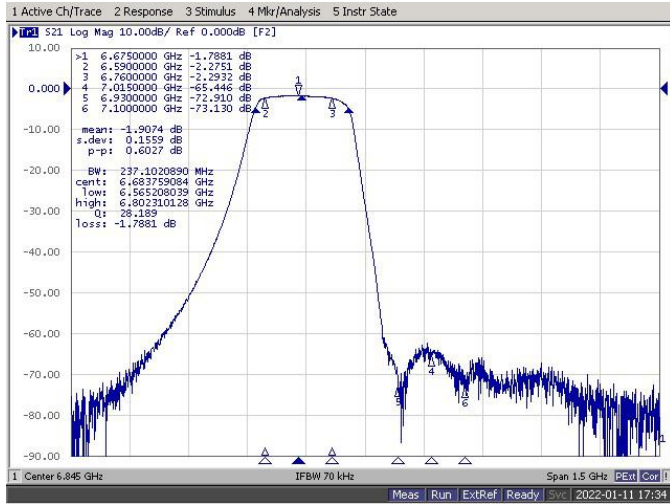
Mechanical Specifications

Dimension	53×31×6 (mm)
Weight	130 g

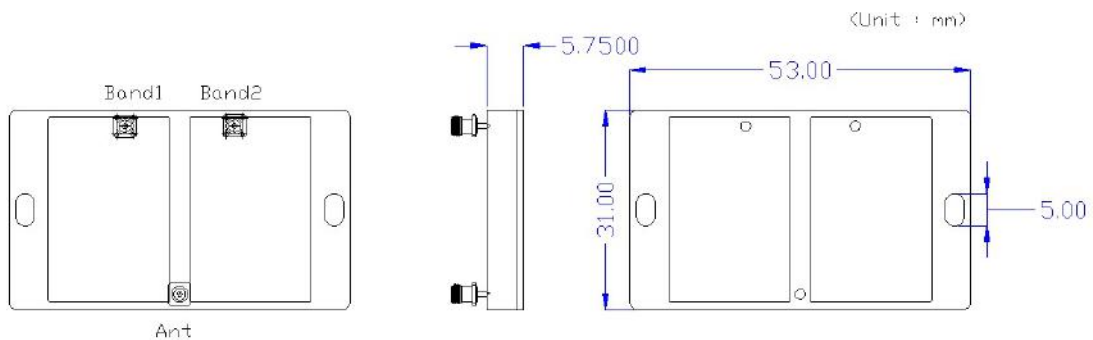
Environmental Specifications

Operating Temperature	-40 °C to +65 °C
Storage Temperature	-45 °C to +85 °C
Relative Humidity	5% - 95%
Application	Indoor

Plot Data



Outline Drawing



Regulatory Compliances

ISO 9001:2015	Compliant
ROHS	Compliant
China RoHS	Compliant
UK RoHS	Compliant
REACH	Compliant
EU/CE	Compliant

In the effort to improve our products, we reserve the right to make changes judged to be necessary. While the information has been carefully compiled to the best of our knowledge, nothing is intended as representation or warranty on our part and no statement herein shall be construed as recommendation to infringe existing patents. The information contained in this document is subject to change without notice.