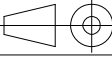
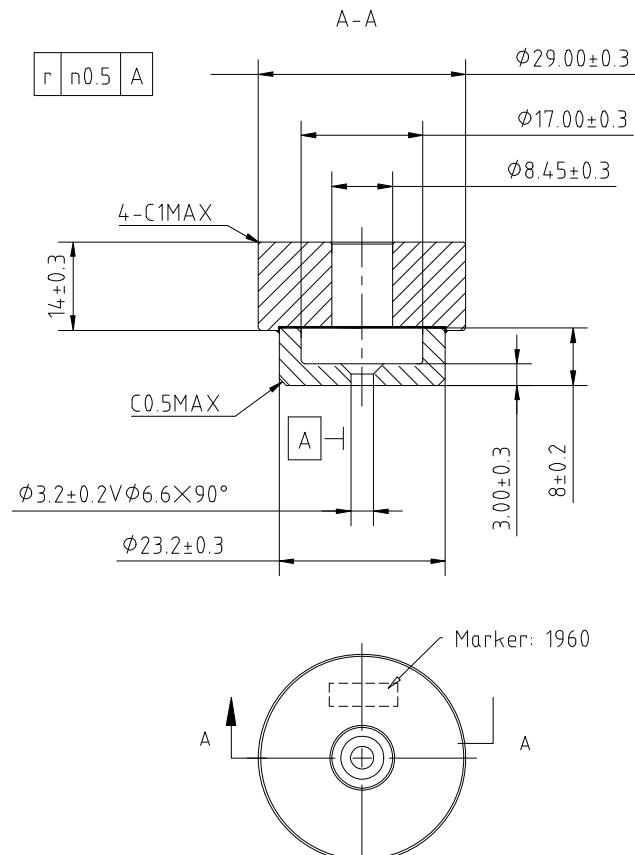



1		2			3		4		
A	XX	±0.1		Items	Requirements	Items	Requirements	A	
	XXX	±0.05		Breach	Maximum 4 positions for ≤1×1×1mm. Maximum 2 positions for ≤2×2×1mm. Maximum 1 positions for ≤3×3×1mm.	Holes	≤ φ0.5×0.5mm		
	[G] Key parameter [B] Blind hole [T] Through-hole					Gaps	No visible holes under ×10 magnifier.		
						Dents	≤ 0.5×0.5×0.5mm		
						Color	Minor color difference is allowed.		
B									B
C									C
D									D
E	<p>Technical Requirements:</p> <ol style="list-style-type: none"> Comply ROHS and REACH environmental requirements. Electrical Parameters: <ul style="list-style-type: none"> Unloaded Quality Value > 16000 (Without tuning plate). Center Frequency: 1960MHz Tunable Frequency: f0 +4/-2 MHz Frequency Temperature Offset 0-300K for -40 ℃~+25 ℃ temperature range Frequency Temperature Offset -300-0K for +25 ℃~+85 ℃ temperature range The surface is smooth and even, without burrs or cracks. The resonator shall be firmly adhered to the support block. The test unit is circular with a size of φ 40 × 32 (diameter × height). The support is made of ceramic, with a purity of 99% alumina. Remove burrs, oil stains, and blunt sharp edges. 								E
							CRN-1940-40-16000-01		
Mark	Ver.	ECN	Sign	Date	Dielectric Resonator		Version Mark	Weight	Scale
Design					Dielectric Constant		S	1.2	1:1
Check							Material: K040		Surface m ²
Process					Material: K040				Page 1 of 2
Electrical							Material: K040		
Standard					Material: K040				
Approve							Material: K040		
1		2			3				4

Reliability testing

- 1) Prior to the experiment, conduct the electrical performance test on the testing unit and ensure that the electrical performance meets the required standards. Subsequently, carry out the testing of the items specified in Table 1 in a sequential manner.
- 2) Upon completion of each test, inspect the appearance for any abnormalities such as cracks, peeling, adhesive detachment, or ceramic block detachment, and verify that the electrical performance meets the specified requirements.
- 3) Qualification criteria: The absence of any abnormalities during the testing process for all items, with no significant changes in electrical performance before and after the test, and compliance with the technical specifications.
- 4) Upon completion of all tests, provide detailed test reports based on the test results.

Table 1: Reliability Test Items and Requirements

NO.	Item	Requirements
1	Enclosure Strength	1) Tightening torque of fixing screws: ≥ 2.9 Nm; 2) The vertical tensile force between the ceramic and the bracket exceeds 100N, sustained for 1 minute. 3) The shear force between the ceramic and the bracket exceeds 100N, sustained for 1 minute.
2	Sine Vibration	Frequency: 10-55 Hz Amplitude: 0.75mm peak to peak value Time: 10-55 Hz / 5 minutes Number of cycles: 3 cycles per axis, for a total of 30 minutes Axial: 3-axis
3	Shock	Peak acceleration: 50 g Pulse duration: 11 ms Speed variation: Half sine wave, 3.4 m/s Axial: 3-axis Continuous impact times: 6 directions x 3 times
4	Low Temperature	Dielectric testing without metal casing Store at -55°C for 48 hours
5	High Temperature	Dielectric testing without metal casing Store at $+85^{\circ}\text{C}$ for 48 hours
6	Damp Heat Test	Dielectric testing without metal casing High temperature and humidity: $+55^{\circ}\text{C}$, 95%, 12 hours Low temperature and high humidity: $+25^{\circ}\text{C}$, 95%, 12 hours Test time: 2 cycles for a total of 48 hours
7	Temperature Shock	Dielectric testing without metal casing Low temperature: -55°C High temperature: $+85^{\circ}\text{C}$ Constant temperature duration: 3 hours Conversion duration: 1 minute Impact: 30 times



Mark	Ver.	ECN	Sign	Date	Dielectric Resonator		Version Mark	Weight	Scale
Design					Dielectric Constant		S	1.2	
Check					Material: K040		Page 2 of 2		
Process									
Electrical									
Standard									
Approve									