



Multi-band RF combiner, triplexer, 694-960MHz/1710-1880MHz/1920-2170MHz combination, double unit 6-input / 2-output, 7/16 DIN female, -155dBc, DC bypass for all ports.

## General Specifications

|                     |  |
|---------------------|--|
| Product Type        | Multi-Band Combiner                      |
| Channel Number      | 3-way Triplexer                          |
| Frequency Band      | 694-960MHz   1710-1880MHz   1920-2170MHz |
| Input / Output      | 6-input and 2-output                     |
| Structure           | Double Unit                              |
| Connector Interface | 7/16 DIN female                          |

## Electrical Specifications

|                             |                         |           |           |
|-----------------------------|-------------------------|-----------|-----------|
| Frequency Band (MHz)        | 694-960                 | 1710-1880 | 1920-2170 |
| Return Loss                 | ≤-20.8 dB               | ≤-20.8 dB | ≤-20.8 dB |
| VSWR                        | ≤1.20                   | ≤1.20     | ≤1.20     |
| Insertion Loss              | ≤0.5 dB                 | ≤0.5 dB   | ≤0.5 dB   |
| Isolation                   | ≥50 dB                  | ≥50 dB    | ≥50 dB    |
| Intermodulation (3rd order) | ≤-155dBc@2×43dBm        |           |           |
| DC Bypass                   | DC bypass for all ports |           |           |
| Power Handling              | 200 watts per port      |           |           |
| Impedance                   | 50 ohms                 |           |           |

## Material Specifications

|           |                                   |                   |
|-----------|-----------------------------------|-------------------|
| Cavity    | Cavity Enclosure                  | Aluminum alloy    |
|           | Cavity Outer Surface Treatment    | Powder coating    |
|           | Cavity Inner Surface Treatment    | Cu3Ag1            |
|           | Inner Conductor                   | Aluminum alloy    |
|           | Inner Conductor Surface Treatment | Ag1               |
| Connector | Outer Conductor                   | Brass             |
|           | Outer Conductor Surface Treatment | Tri-metal CuSnZn3 |
|           | Inner Conductor                   | Brass             |
|           | Inner Conductor Surface Treatment | Ag1               |
|           | Insulator                         | PTFE/TPX          |
|           | Gasket                            | Silicon rubber    |

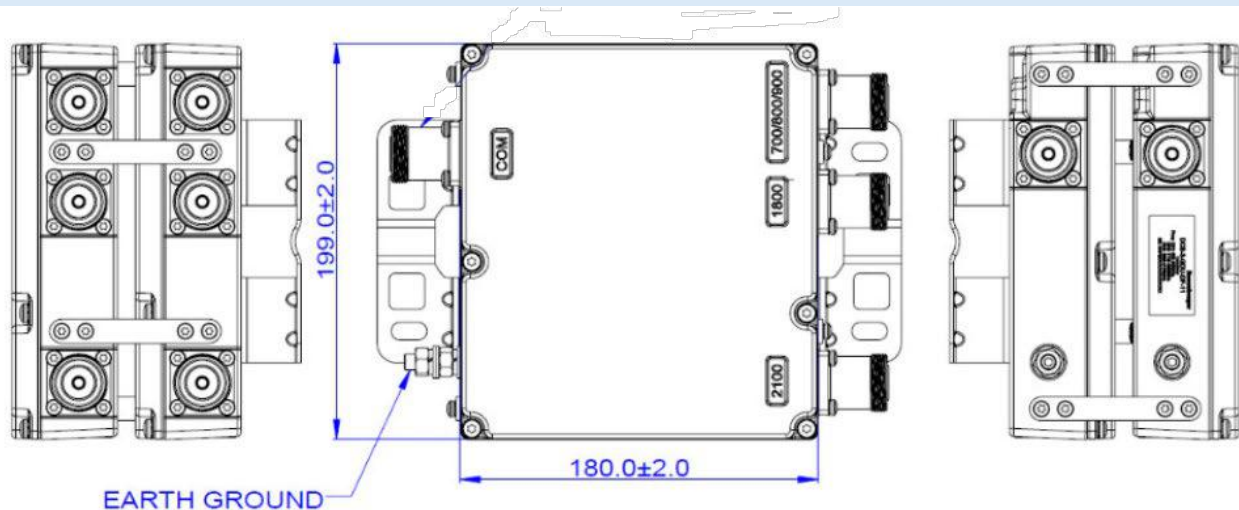
## Mechanical Specifications

|                 |   |
|-----------------|---|
| Dimension       | 199×180×110 (mm, excluding connectors and brackets) |
| Weight          | 6.5 kg  |
| Connectors Type | 7/16 DIN female                                     |
| Mounting        | Wall and pole                                       |
| Packing         | 1 pcs in box  |

## Environmental Specifications

|                       |                  |
|-----------------------|------------------|
| Operating Temperature | -40 °C to +65 °C |
| Storage Temperature   | -45 °C to +85 °C |
| Relative Humidity     | 5% - 95%         |
| Application           | IP67             |

## Outline Drawing



## Regulatory Compliances

|               |           |
|---------------|-----------|
| ISO 9001:2015 | Compliant |
| ROHS          | Compliant |
| China RoHS    | Compliant |
| UK RoHS       | Compliant |
| REACH         | Compliant |
| EU/CE         | Compliant |

In the effort to improve our products, we reserve the right to make changes judged to be necessary. While the information has been carefully compiled to the best of our knowledge, nothing is intended as representation or warranty on our part and no statement herein shall be construed as recommendation to infringe existing patents. The information contained in this document is subject to change without notice.