



The termination dummy load is designed to match the open port for RF equipment and systems. SYMAIR termination loads have compact dimensions, stable power handling and high reliability for long-term applications.

### General Specifications

Product Type	RF Termination Load
Frequency Band	DC-4000 MHz
Power Handling	5 Watts
Connector Interface	7/16 DIN male

### Electrical Specifications

Frequency Band	DC-4000 MHz
Return Loss	≤-20.8 dB
VSWR	≤1.20
Power Handling	5 watts
Impedance	50 ohms

### Material Specifications

Cavity	Cavity Enclosure	Aluminum alloy
	Cavity Outer Surface Treatment	Conductive oxidation / Painting
	Cavity Inner Surface Treatment	Cu3Ag1
	Inner Conductor	Aluminum alloy
	Inner Conductor Surface Treatment	Ag1
Connector	Outer Conductor	Brass
	Outer Conductor Surface Treatment	Tri-metal CuSnZn3
	Inner Conductor	Brass
	Inner Conductor Surface Treatment	Ag1
	Insulator	PTFE/TPX
	Gasket	Silicon rubber

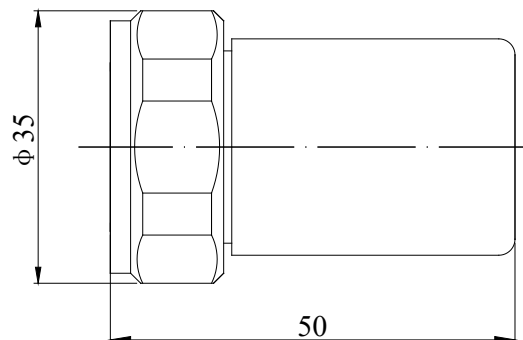
## Mechanical Specifications

Dimension	φ35×50 mm
Weight	0.2 kg
Connectors Type	7/16 DIN male
Mounting	Plane
Packing	1pcs in box

## Environmental Specifications

Operating Temperature	-40 °C to +65 °C
Storage Temperature	-45 °C to +85 °C
Relative Humidity	5% - 95%
Application	Indoor

## Outline Drawing



## Regulatory Compliances

ISO 9001:2015	Compliant
ROHS	Compliant
China RoHS	Compliant
UK RoHS	Compliant
REACH	Compliant
EU/CE	Compliant

In the effort to improve our products, we reserve the right to make changes judged to be necessary. While the information has been carefully compiled to the best of our knowledge, nothing is intended as representation or warranty on our part and no statement herein shall be construed as recommendation to infringe existing patents. The information contained in this document is subject to change without notice.